

Steel drums**Open Head Drum – NSK**

(32, 45, 55, 60, 65 litres)

**Conical drum with removable lid ideal for savings in transport and storage.**

The production and sales of container drums are the main activities of the Greif company in the field of packaging and services. The wide range of steel drums complies with strict regulations and requirements of petrochemical, chemical, pharmaceutical and food industry. Drums are manufactured with the latest technology and in accordance with the UN regulations for the transportation and storage of dangerous goods as well as with national and international legislation. This ensures optimum protection of a wide spectrum of packaged products, which meet the criteria for dangerous and non-dangerous goods.

- Drums can be supplied with handles welded on the upper part of the drum body.

- Protection of the external surface is ensured with environment-friendly water based paint that meets all legislative requirements.

- Drums with raw surface of the interior are suitable for packaging products that do not react with steel.

- Steel drums production complies with strict UN regulations for packing dangerous goods in the packaging groups I / X, II / Y, III / Z.

Standard Specification**Steel Sheets**

Plain and coated drums are produced from steel sheets FeP01 produced in accordance to EN 10 130 and their properties comply with EN 10 131 and their national equivalents.

Closures

The drums can be supplied with a combination of Tri-Sure® 4S® G2" and G3/4" closures in the lid. Screw closures comply with the international standards of EN ISO 15750-3. Closures can be closed and sealed with Tab-Seal® caps in neutral or customer design. Closure flanges have standard sealing with a high-resistance system of 4S® sealing rings.

Construction**• Body seam:**

Continuous resistance weld.

Classification according to the type of transport

In compliance with the valid legislation and legislative executive regulations are drums of the Greif company production tested in accordance with the UN recommendations specified in Transport of dangerous goods – Model regulations and the sections of the International Collection for Transportation Chains as RID/ADR/IMDG – Code/ ICAO – IATA/ADN.



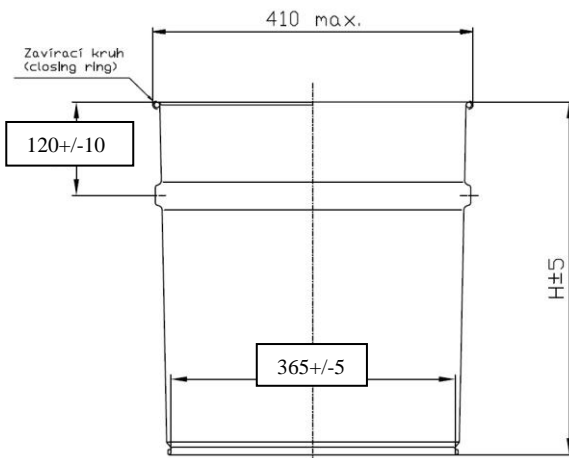
Steel drums

Open Head Drum – NSK

(45 and 60 litres)



Drum dimensions



32 l:	H = 330 ±5 mm
45 l:	H = 420 ±5 mm
55 l:	H = 530 ±5 mm
60 l:	H = 590 ±5 mm
65 l:	H = 630 ±5 mm

Bottom to body seaming

The seam is done by a safety seaming with sealing material.

Lid to drum seaming

Drum lids are fixed with a closing ring with lever, which can be secured with a steel/plastic safety plate or with M8 nut and bolt.

Stacking

Conical shape of drum body allows effective stacking.

UN Code

The UN code is embossed on the drum bottom and printed on the lower part of the drum body in accordance with international regulations.

Legislation

The products of Greif Czech Republic a.s. are supplied in accordance with the valid legislation.

Greif Czech Republic a.s.

Konečná 252

400 01 Ústí nad Labem

Czech Republic

VAT No.: CZ28708229

Telephone: +420 475 668 911, +420 475 668 941-2

Fax: +420 475 668 960, +420 475 668 962

e-mail: info.cz@greif.com

www.greif-cz.com